

HCD038/BT

Control unit | Bluetooth DALI with PSU | Attachable sensor heads

EAN: 6971185220542



Benefits

Adaptable: Small control unit with strain relief

Versatile: Choose over many sensors options

Flexible: 2 Push inputs for flexible manual control

Applications

Master luminaire with sensor

Classrooms

Offices



Check Out the Complete System Solution on the Website:
<https://www.hytronik.com/product/HCD038-BT>

Product Description

HCD038/BT is a Bluetooth DALI control base with 64mA DALI power supply built in. It work with a wide range of microwave and PIR sensor heads. They are ideal for plastic luminaires as compared to metal luminaires because Bluetooth signal can transmit through plastic.

Functions and Features

See additional details at the end of datasheet



Built-in DALI PSU



D4i Data Access
Via App



Koolmesh - See
bluetooth control
below



Push-Button
Input



RJ12 Connection

HCD038/BT

Control unit | Bluetooth DALI with PSU | Attachable sensor heads

EAN: 6971185220542

Specifications

Main Capabilities

Dimming (Output) Interface	DALI
Connector Type	Standard 2 cables

Electrical Data

Bluetooth Platform	Nordic nRF52832
Bluetooth frequency	2.4 GHz - 2.483 GHz
Bluetooth range	10-30m
Bluetooth transmit power	4 dBm
Bluetooth system	Koolmesh
Operating voltage range	220-240 VAC 50/60 Hz
Stand-by power (Psb)	<0.5W
Warming-up	20 s
DALI bus maximum rated current (I _n max)	80 mA
DALI bus nominal DC voltage range (U _n)	16 V
DALI bus nominal current (I guaranteed)	30 mA

HCD038/BT

Control unit | Bluetooth DALI with PSU | Attachable sensor heads

EAN: 6971185220542

Specifications

Technical	
Product weight	46.0 g
Product height	21.0 mm
Product length	120.0 mm
Product width	30.0 mm
Mounting hole	4.5 mm
Ambient temperature	-20 ~ +55°C
Storage temperature	-40 ~ +70°C
Humidity max	20 ~ 90%
Case Temp.max	75.0°C
IP Rate	IP20

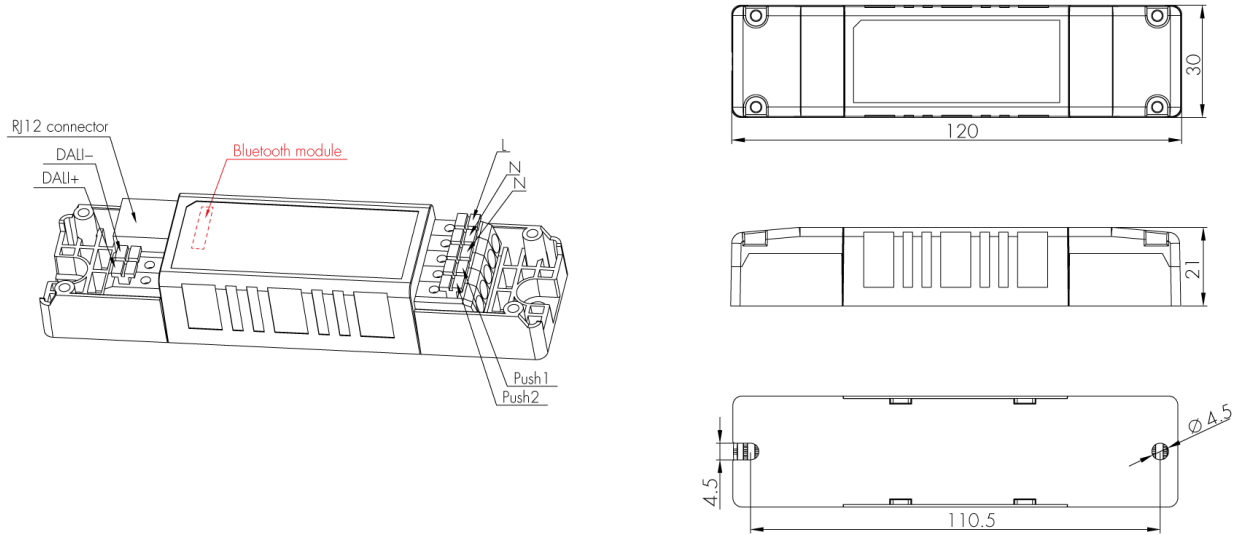
Standard	
EMC	EN 55015, EN 61000, EN 61547
LVD	EN 60669-1, EN 60669-2-1
RED	EN 300328, EN 301489-1/-17

HCD038/BT

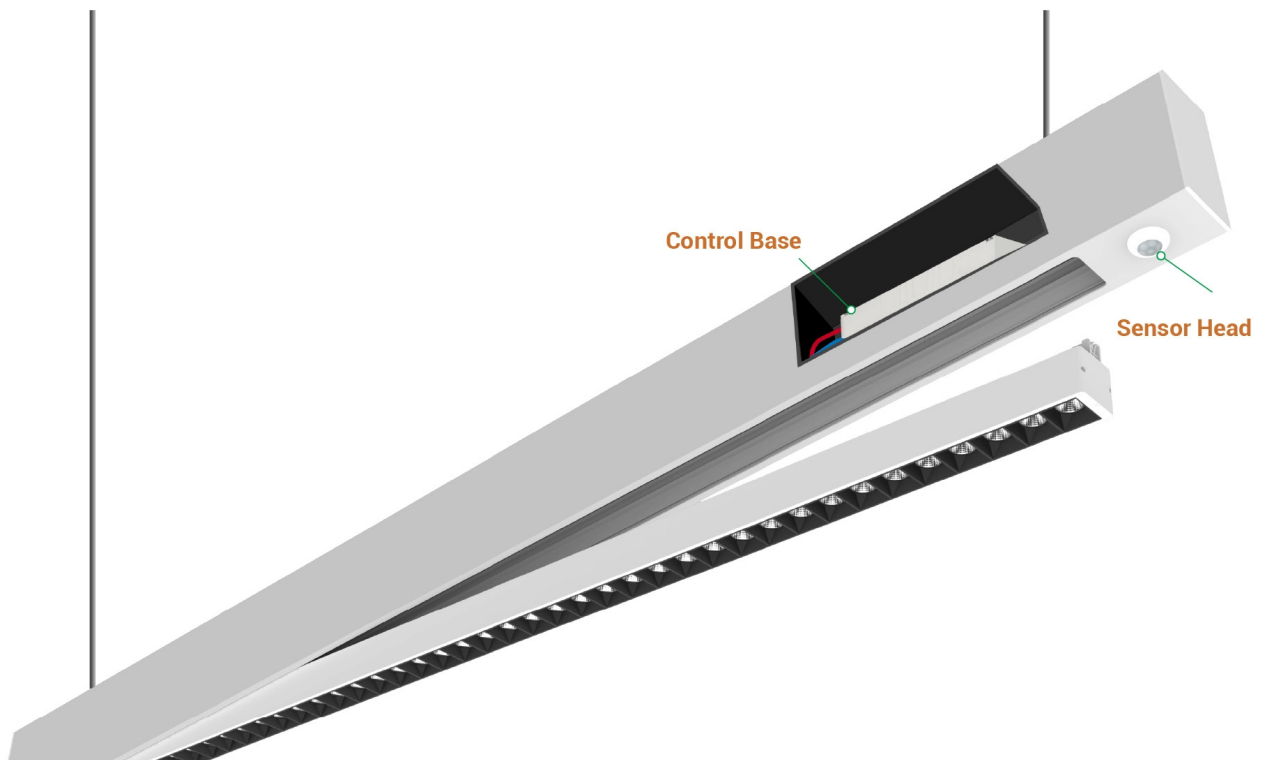
Control unit | Bluetooth DALI with PSU | Attachable sensor heads

EAN: 6971185220542

Technical Drawing



Application Example

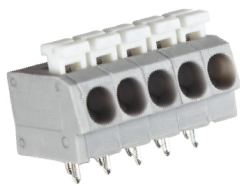


HCD038/BT

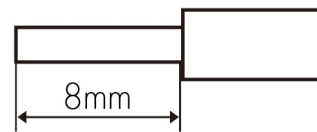
Control unit | Bluetooth DALI with PSU | Attachable sensor heads

EAN: 6971185220542

Wire Preparation

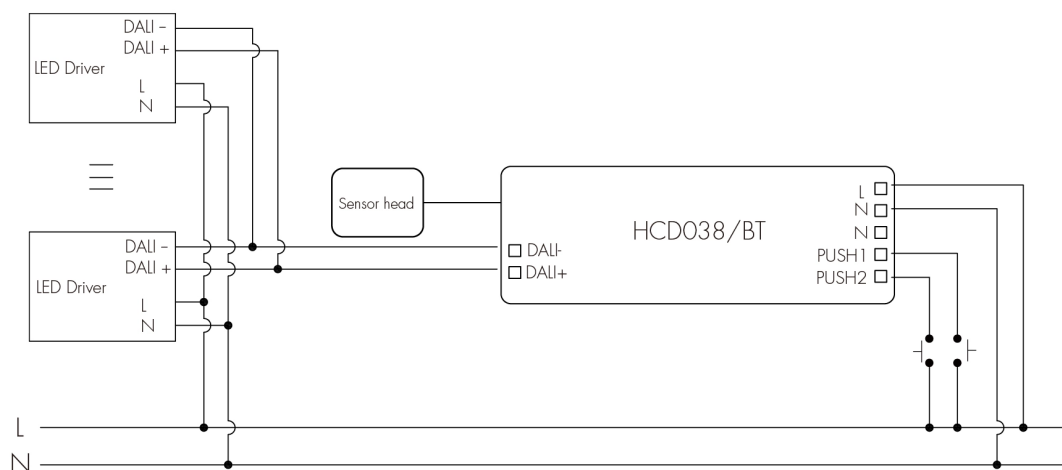


0.75~1.5mm²



To make or release the wire from the terminal, use a screwdriver to push down the button. 1. 200 metres (total) max. for 1mm² CSA (Ta = 50°C) 2. 300 metres (total) max. for 1.5mm² CSA (Ta = 50°C)

Wiring Diagram



HCD038/BT

Control unit | Bluetooth DALI with PSU | Attachable sensor heads

EAN: 6971185220542

Commissioning Instructions and Precautions

A. Installation Preparations

1. This product should be installed by a qualified electrician.
2. To ensure better detection, keep the sensor lens part beyond the surface of the light fixture.
3. We recommend the mounting distance between sensor to sensor should be more than 2m to prevent sensors from false-triggering.

B. Sensor head Precautions

1. The control base can be used only after it is connected to the sensor head via RJ12 connection.
2. The push function and commission type are determined by the included sensor head.

Warning: For additional important documents, including installation precautions, product guidelines, and guarantee conditions, please refer to the official downloads.

<https://hytronik.com/service/downloads>

HCD038/BT

Control unit | Bluetooth DALI with PSU | Attachable sensor heads

EAN: 6971185220542

Dimming Interface Operation Notes

The provided Switch-Dim interface allows for a simple dimming method using commercially available non-latching (momentary) wall switches. Detailed Push switch configurations can be set on Koolmesh app.

Note: Single press, double press, and press-and-hold actions can each be independently assigned to one function via the app. Once configured, each action triggers only its assigned function. Multiple functions cannot be activated by a single press action.

Switch function	Action	Descriptions
Fire Alarm Function	Refer to https://support.koolmesh.com/	<ul style="list-style-type: none">• Able to connect the Fire Alarm system• Once the fire alarm system is triggered, all the luminaries controlled by the Push Switch will enter the preset scene (normally it's full on), after the fire alarm system gives the ending signal, all the luminaries controlled by this Push Switch will revert back to normal status.
ON OFF Switch (Latching Switch)	/	<ul style="list-style-type: none">• Upgrade a standard on/off control to Bluetooth control, enabling one latching switch to control multiple luminaires or zones, reducing wiring and switch count.
Normal PUSH (Retractive Switch)	Single press (> 0.1s) Double press Press and hold (>= 1s)	<ul style="list-style-type: none">• ON/OFF• OFF only• Recall this scene• Sensor take over• Not in use
Sensor-Link	/	<ul style="list-style-type: none">• Hold time/scene• Stand-by time/scene• Upgrade a normal on/off motion sensor to a Bluetooth-controlled motion sensor

HCD038/BT

Control unit | Bluetooth DALI with PSU | Attachable sensor heads

EAN: 6971185220542

Options

Accessories



Reinforced Bluetooth Antenna | Easy installation | Black color

HA01/B

www.hytronik.com/product/HA01-B



Reinforced Bluetooth Antenna | Easy installation | White color

HA01/W

www.hytronik.com/product/HA01-W

Compatible products (for full functionality)



HA01/B

Reinforced Bluetooth Antenna | Easy installation | Black color

www.hytronik.com/product/HA01-B



HA01/W

Reinforced Bluetooth Antenna | Easy installation | White color

www.hytronik.com/product/HA01-W



HIR05

PIR Lowbay | Circadian Rhythm | RJ12 connector to control body

www.hytronik.com/product/HIR05



HIR05/FM

PIR Lowbay | Circadian Rhythm | RJ12 connector to control body

www.hytronik.com/product/HIR05-FM



HIR07

PIR Lowbay | Photocell Advance | RJ12 connector to control unit

www.hytronik.com/product/HIR07



HIR11/AA

PIR Highbay | Adjustable Angle | RJ12 connector to control body

www.hytronik.com/product/HIR11-AA



HIR11/C

PIR Highbay | Circadian Rhythm | RJ12 connector to control body

www.hytronik.com/product/HIR11-C



HIR11/F

PIR Highbay | Circadian Rhythm | RJ12 connector to control body

www.hytronik.com/product/HIR11-F



HIR11/S

PIR Highbay | Circadian Rhythm | RJ12 connector to control body

www.hytronik.com/product/HIR11-S



HIR12

PIR Highbay | Circadian Rhythm | RJ12 connector to control body

www.hytronik.com/product/HIR12



HIR63

PIR Lowbay Sensor Head | RJ12 connector | Conduit Screws

www.hytronik.com/product/HIR63



HIR63/R

PIR Midbay Sensor Head | RJ12 connector | Conduit Screws

www.hytronik.com/product/HIR63-R



SAM20

HF Lowbay | Daylight Harvest | RJ12 connector to control body

www.hytronik.com/product/SAM20



SAM21

HF Lowbay | Circadian Rhythm | RJ12 connector to control body | IP65

www.hytronik.com/product/SAM21

HCD038/BT

Control unit | Bluetooth DALI with PSU | Attachable sensor heads

EAN: 6971185220542

HYTRONIK[®]
SENSORS & LIGHTING CONTROL

Options

Compatible products (for full functionality)



SAM22

HF Lowbay | Ciradian Rhythim | RJ12 connector to control body

www.hytronik.com/product/SAM22



SAM23

HF Highbay | Photocell Advance | RJ12 connector to control body

www.hytronik.com/product/SAM23



SAM22/AA

HF Lowbay | Ciradian Rhythim | RJ12 connector to control body

www.hytronik.com/product/SAM22-AA

HCD038/BT

Control unit | Bluetooth DALI with PSU | Attachable sensor heads

EAN: 6971185220542

Koolmesh - Operating guide

Bluetooth



Smartphone(ios)



Smartphone (Android)



iPad



Web

For additional information, including project and network, device, and scenes, please refer to: <http://faq.koolmesh.com/faq/en/index.html>

Shared Koolmesh App Features

- Alert for excess lux / temperature / humidity via multi-meter HBLM01
- Astro timer (sunrise and sunset)
- Bulk commissioning (copy and paste settings)
- Compatible with Shelly energy metering
- Continuous development in progress...
- Device firmware update over-the-air (OTA)
- Device social relations check
- Different permission levels via authority management
- Floorplan feature to simplify project planning
- Grouping luminaires via mesh network
- Internet-of-Things (IoT) featured
- Koolmesh Pro iPad for on-site configuration
- Network sharing via QR code or keycode
- Offline commissioning
- One-key device replacement
- Quick setup mode & advanced setup mode
- Remote control via Hytronik gateway & touch screen HPAD-TSJASE1
- Scenes
- Schedule
- Staircase function for quick setup
- Test mesh network connection quality
- Web platform for project deployment & data analysis

Device-specific Koolmesh App features

- Compatible with EnOcean kinetic switches
- Detailed motion sensor settings
- Dusk/Dawn photocell (Twilight function)
- Dynamic daylight harvest auto-configuration
- Motion sensor range test
- Motion sensor trigger diagnosis
- Push switch configuration

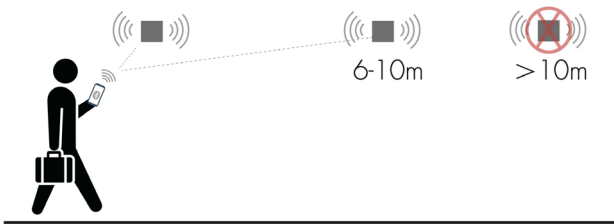
HCD038/BT

Control unit | Bluetooth DALI with PSU | Attachable sensor heads

EAN: 6971185220542

Smart Phone to Device Range

1. The smart device with the installed App typically has a range of 10m, which may vary between devices.
2. During the commissioning process, the installer must be within range of the devices while searching for them to add to the network.
3. Once the devices are added to the network via the App, they will begin communicating within the wireless mesh.
4. After the network is complete, all devices can be accessed from the smart device within a 20m range of a single point.



Bluetooth Network Components



HBGW02

Bluetooth Mesh Gateway | Ethernet or Wi-Fi 2.4GHz | wall/flat surface mounting
www.hytronik.com/product/HBGW02



HBKS02/W

Bluetooth Kinetic Switch | Two-gang | White Color
www.hytronik.com/product/HBKS02-W



HBGW02/D

Bluetooth Mesh Gateway | Dual-band Wi-Fi | wall/flat surface mounting
www.hytronik.com/product/HBGW02-D



HBKS02D/W

Bluetooth Kinetic Switch | Double Rocker | White Color
www.hytronik.com/product/HBKS02D-W



HBGW03/R

BACnet Gateway | Dual-band Wi-Fi or Ethernet | DIN rail/wall/flat surface mounting
www.hytronik.com/product/HBGW03-R



HBKS03/W

Bluetooth Kinetic Switch | Three-gang | White Color
www.hytronik.com/product/HBKS03-W



HBKS01/W

Bluetooth Kinetic Switch | One-gang | Wireless Control
www.hytronik.com/product/HBKS01-W



HBLM01

Multi-meter | Bluetooth & NFC | Lux Measurements
www.hytronik.com/product/HBLM01



HBKS01D/W

Bluetooth Kinetic Switch | Single Rocker | White Color
www.hytronik.com/product/HBKS01D-W



HPAD-TSJASE1

Bluetooth Touch Tablet | Gateway Integrated | Switch Boxes
www.hytronik.com/product/HPAD-TSJASE1

HCD038/BT

Control unit | Bluetooth DALI with PSU | Attachable sensor heads

EAN: 6971185220542

Functions and Features



Built-in DALI PSU

Built-in DALI PSU means the DALI bus power supply is integrated into the product, eliminating the need for an external DALI power unit.

This reduces wiring complexity, saves installation space, and simplifies commissioning, making the system more compact and efficient.



D4i Data Access Via App

When the system is used together with the Koolmesh app, it can access D4i driver data such as luminaire information, energy consumption, and diagnostic data via the Bluetooth network. Access to D4i data is enabled by the software platform and depends on the Bluetooth-to-DALI interface of the connected device, not on the standalone hardware functionality of the sensor or module.



Push Button Input

This product integrates push-button (momentary switch) inputs, allowing external potential-free switches to trigger basic lighting control functions. Each input can be configured for actions such as on/off switching, dimming or scene recall, providing flexible manual control and user interaction within the lighting system. The push-button inputs operate independently of the sensor's automatic functions, enabling seamless coexistence of manual and sensor-based lighting control.



RJ12 Sensor Connection

The product features an RJ12 plug-and-play connection interface, enabling quick, tool-free installation and easy maintenance. The standardized connector supports flexible integration between drivers, sensor bases and sensor heads, ensuring reliable communication and simplifying replacement or system expansion. This modular connection method enhances installation efficiency and reduces wiring complexity in both new and retrofit applications.

Check out for further explanation of features

<https://hytronik.com/solutions/lighting-control-features>